

Small capacity air pump

# CD-8S



Pressure & vacuum Type

Built-in use

\*No power plug included because it is designed for built-in use.

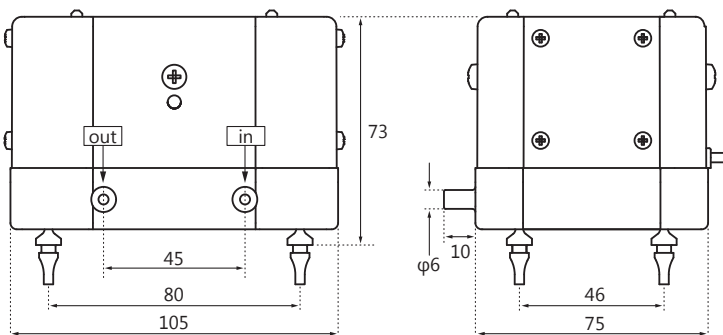
\*Rubber-made legs are sharp-pointed. Not for self-standing installation.

### Applications

- Air mat, air bed (continuous air exhaust)
- Air bearing
- For burner (air supply)
- Scientific & chemical instruments (analysis and agitation)

### Dimensions

(unit : mm)



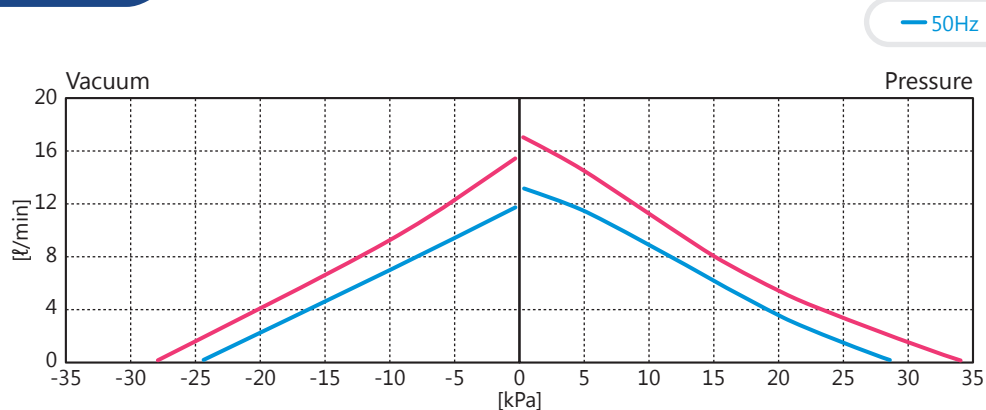
### Specifications

	CD-8S	
Rated voltage [ V ]	AC100 / 120 / 230	
Power frequency [ Hz ]	50	60
Max airflow volume [ L/min ]	13 (-12)	17 (-16)
Max power consumption [ W ]	8	11
Sound level [ dBA ]	31	34
Weight [ kg ]	0.74	

\*The value in parentheses represents vacuum.

\*Sound data shown is with pump operating at 4kPa(C-5BN) / 5kPa(C-15H).

### Performance Curve



\* All characteristics values are only for reference, and are not guaranteed values.  
\* Note that the operating temperature for our pumps is 41°F(5°C) to 104°F(40°C).